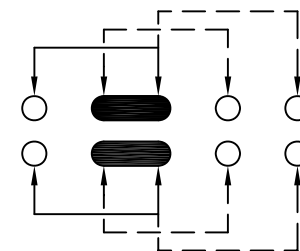
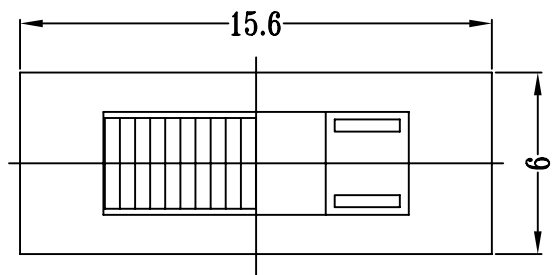
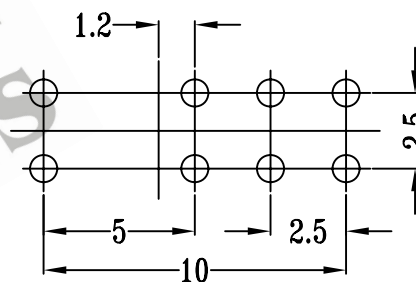
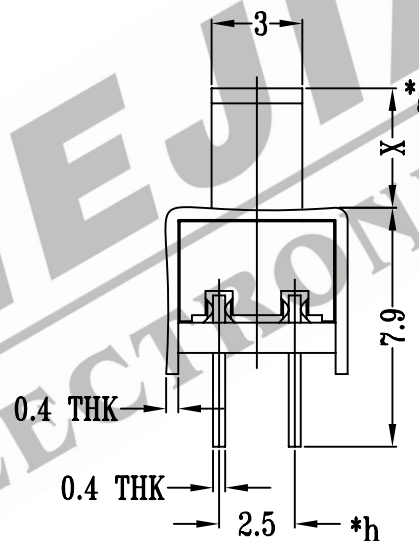
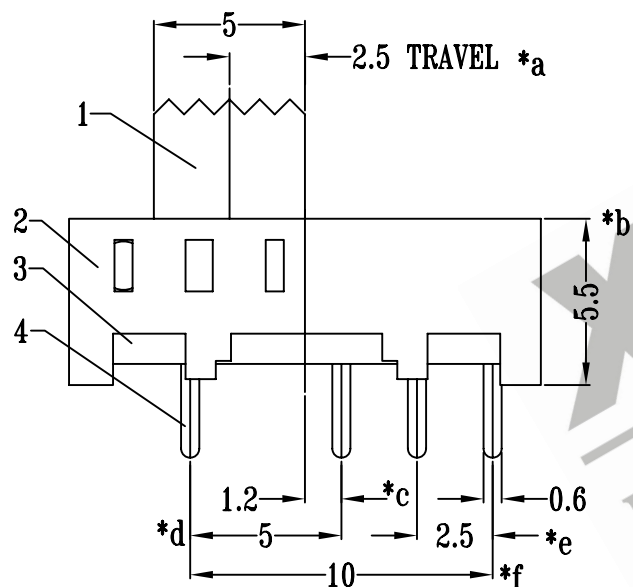


CAD FILE:



SCHEMATIC (SHORTING)



P.C.B LAYOUT

注:带"\*"表示关键尺寸(8个)

8					TOLERANCE UNLESS SPECIFIED	SHENZHEN XIEJIA ELECTRONICS CO.,LTD.				
7										
6					WITHIN: 1.5±0.1mm OVER : 1.5±0.2mm	ISSUE	DATE	DESCRIPTIONS		APPD.
5	CONTACT CLIP	PBS	1	Ag CLAD				TITLE : VERTICAL SLIDE SWITCH		
4	TERMINAL	BRASS STRIP	3	Ag PLATED OVER Ni PLATED	MODEL: SS-23E06	SCALE: 4:1	DWN.	ZHOUYU	2003-9-30	
3	CASE	POM	1	BLACK			CHK'D	FANGYING	2003-9-30	
2	COVER	POM	1	BLACK	ALL MATERIALS MUST BE COMPLIANT TO ROHS		APPD.	KANGXINAN	2003-9-30	
1	KNOB	POM	1	BLACK/GREY						
NO.	PART NAME	MATERIAL	Q'TY	FINISHING						